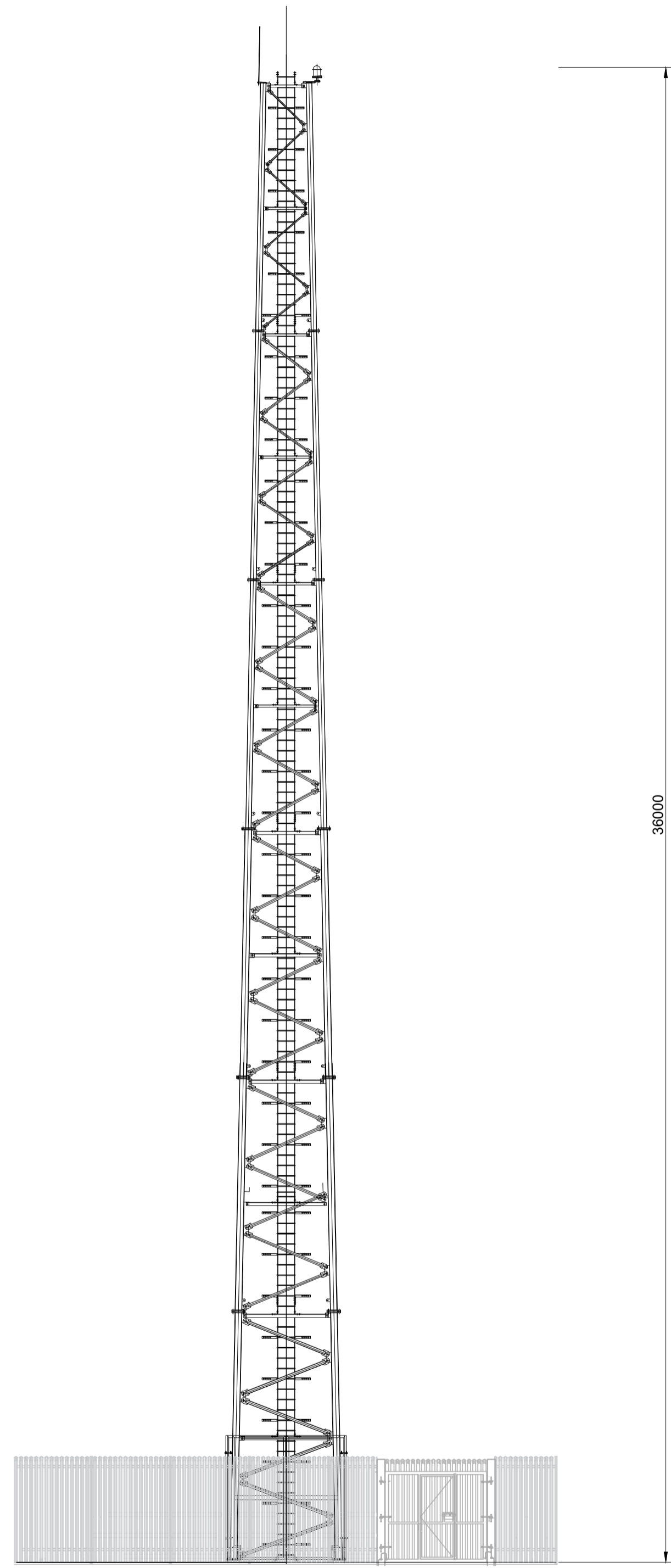


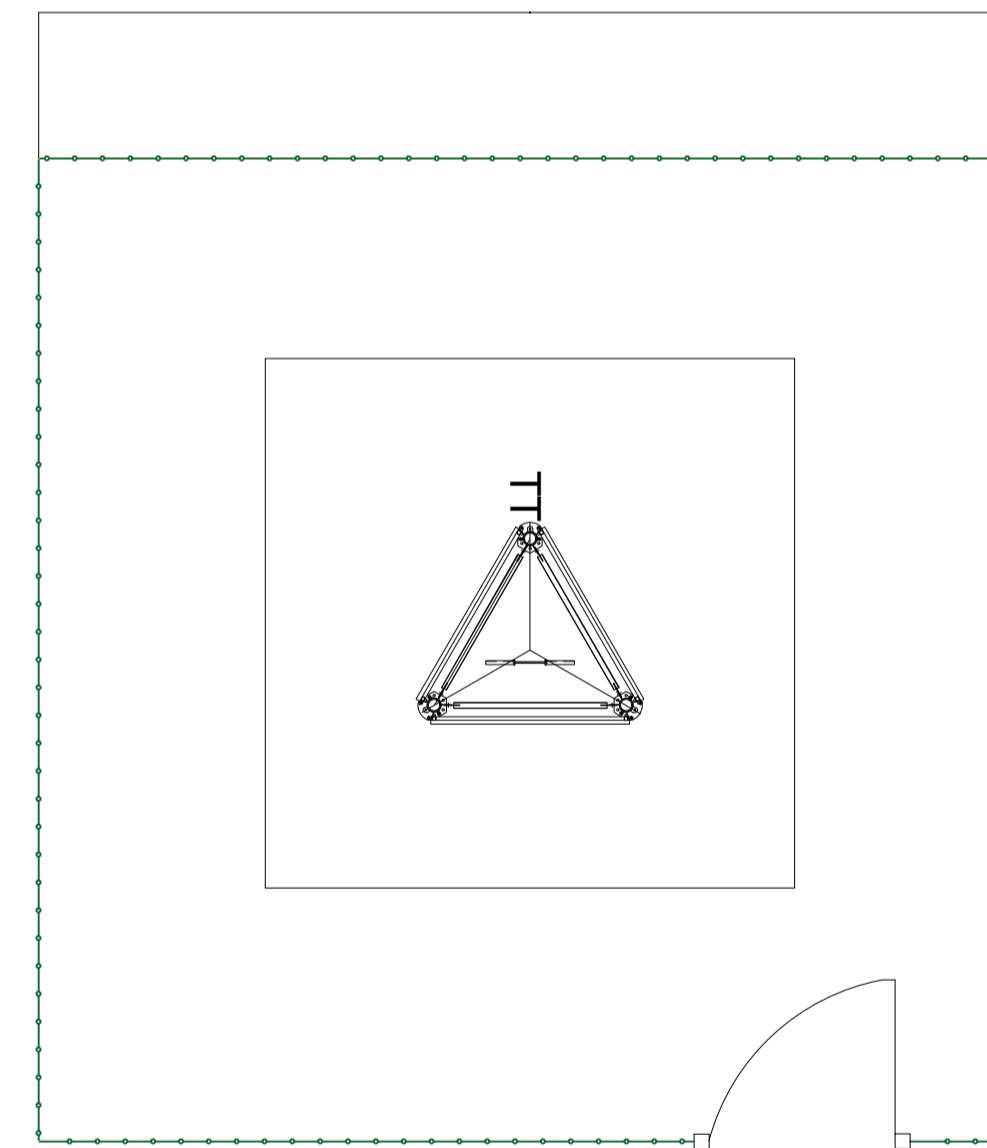
A1

DO NOT SCALE

100
0 10

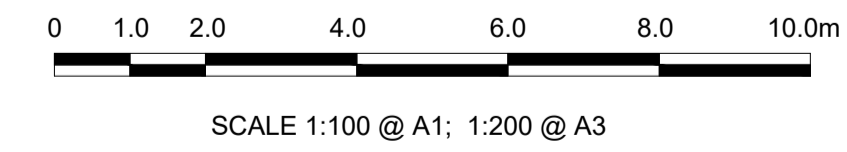


TELCOM TOWER STRUCTURE VIEW



TELCOM TOWER COMPOUND

- GENERAL NOTES**
1. ALL DIMENSIONS ARE IN METERS UNLESS NOTED OTHERWISE
 2. ONLY WRITTEN DIMENSIONS SHALL BE USED. NO DIMENSIONS SHALL BE SCALED FROM THE DRAWINGS
 3. ALL LEVELS ARE IN METERS AND ARE TO MALIN HEAD DATUM
 4. ALL COORDINATES ARE IN METERS AND ARE TO IRISH TRANSVERSE MERCATOR
 5. DRAWINGS ARE TO BE READ IN CONJUNCTION WITH THE SPECIFICATION
 6. THIS DRAWING IS TO BE USED ONLY FOR THE PURPOSES OF THE PLANNING APPLICATION AND IS SUBJECT TO DETAILED DESIGN.
 7. EQUIPMENT/STRUCTURE DETAILS ARE INDICATIVE AND WILL BE FINALISED DURING DETAILED DESIGN
 8. DETAILED DESIGN SHALL BE CARRIED OUT IN LINE WITH SYSTEM OPERATOR AND ASSET OWNER SPECIFICATIONS



© ORDNANCE SURVEY IRELAND LICENSE No. AR 0082524. ORDNANCE SURVEY IRELAND & GOVERNMENT OF IRELAND REFER TO OSI SHEETS 3220-B, 3220-D, 3221-A, 3221-B, 3221-C & 3221-D

File: PEK3-ATK-ZZ-02-DR-EE-903101.dwg
Date: Mar 13, 2026 - 5:49pm
Plotted by: DEWH1347

Rev	Description	By	Date	Chk'd	Auth
0	ISSUED FOR PLANNING	PM	13.03.26	ND	AJB

AtkinsRéalis
DUBLIN | CORK | GALWAY | DUNDALK
ATKINS HOUSE, 150 AIRSIDE BUSINESS PARK,
SWORDS, DUBLIN, K67 K5W4.
Tel : +353 1 810 8000 Email : info.ie@atkinsrealis.com

Client: **Bord Gáis Energy**

Project: **CASHLA PEAKER PLANT**
Rathmorrissey, Pollnagroagh, Moanbaun, Castletambert, Knocknacreeva, Caraunduff, Caherbriskaun, Lisheenkyle East, Barrettspark, Cashla, Atherry, Co. Galway.

Purpose		PLANNING			
Title		TELECOM MAST			
Original Scale	Design/Drawn	Checked	Authorized		
1:100 @ A1	PM	ND	AJB	Date	Date
	13.03.26	13.03.26	13.03.26	Date	13.03.26
Status	Drawing Number	Rev			
A2	PEK3-ATK-ZZ-02-DR-EE-903101	0			